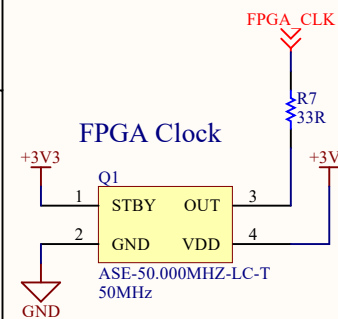
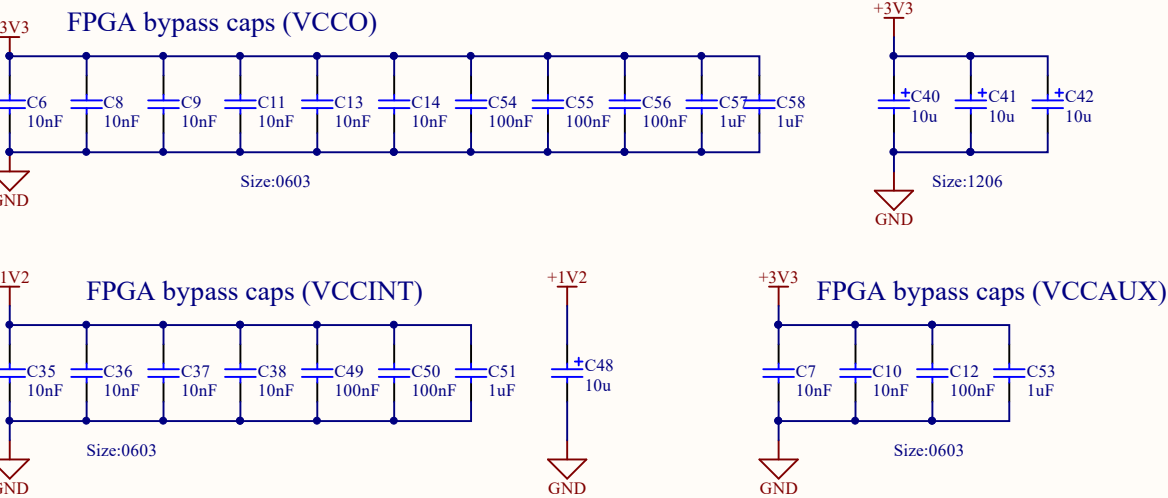
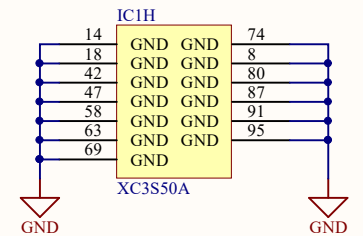
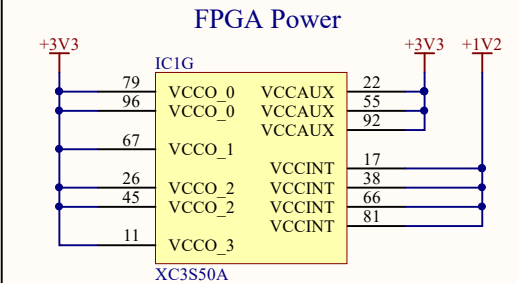
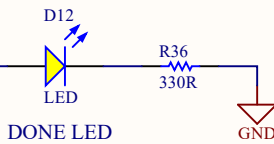
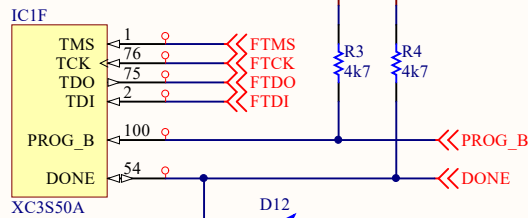
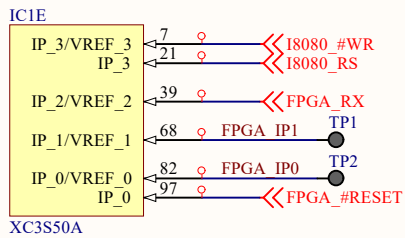
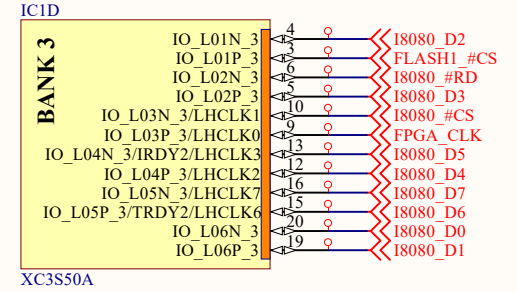
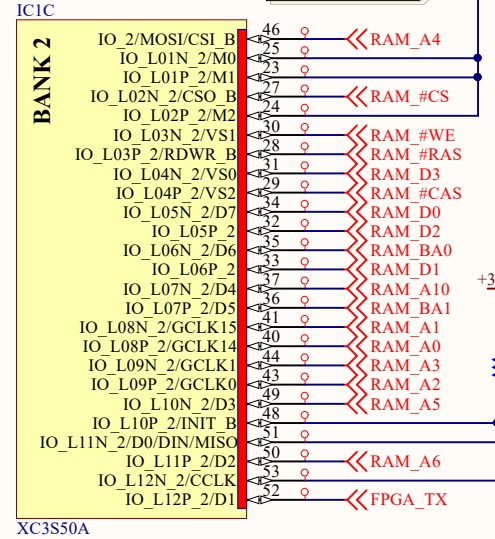
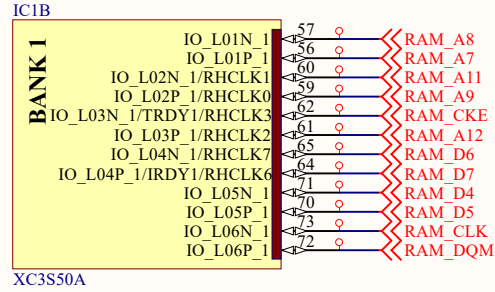
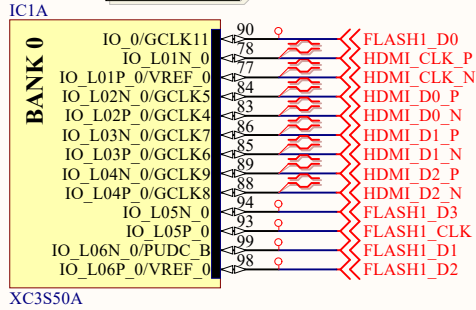


FPGA

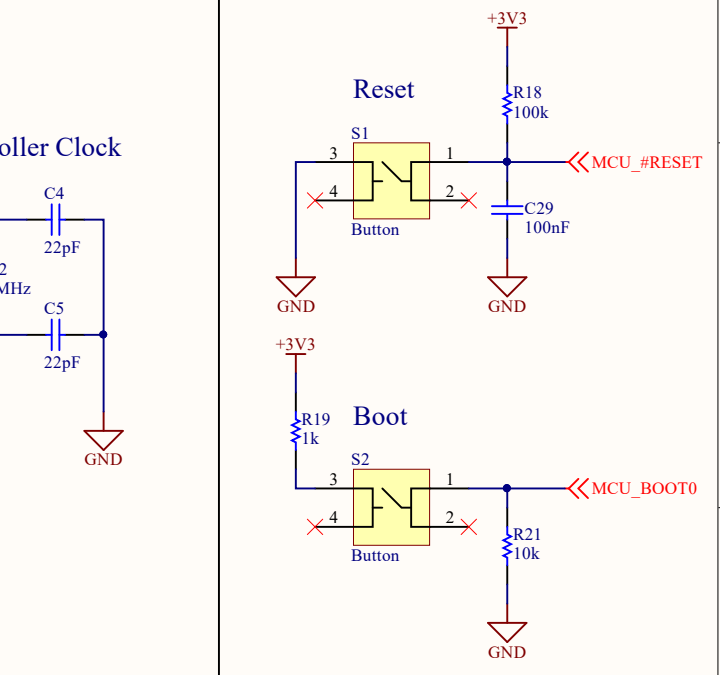
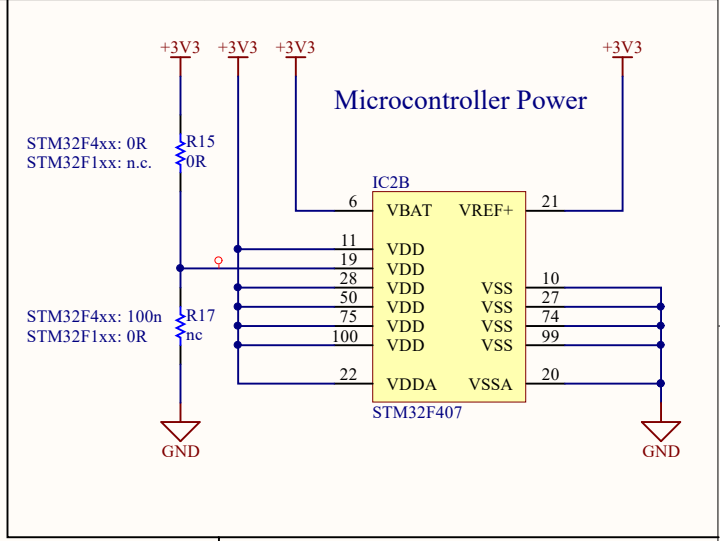
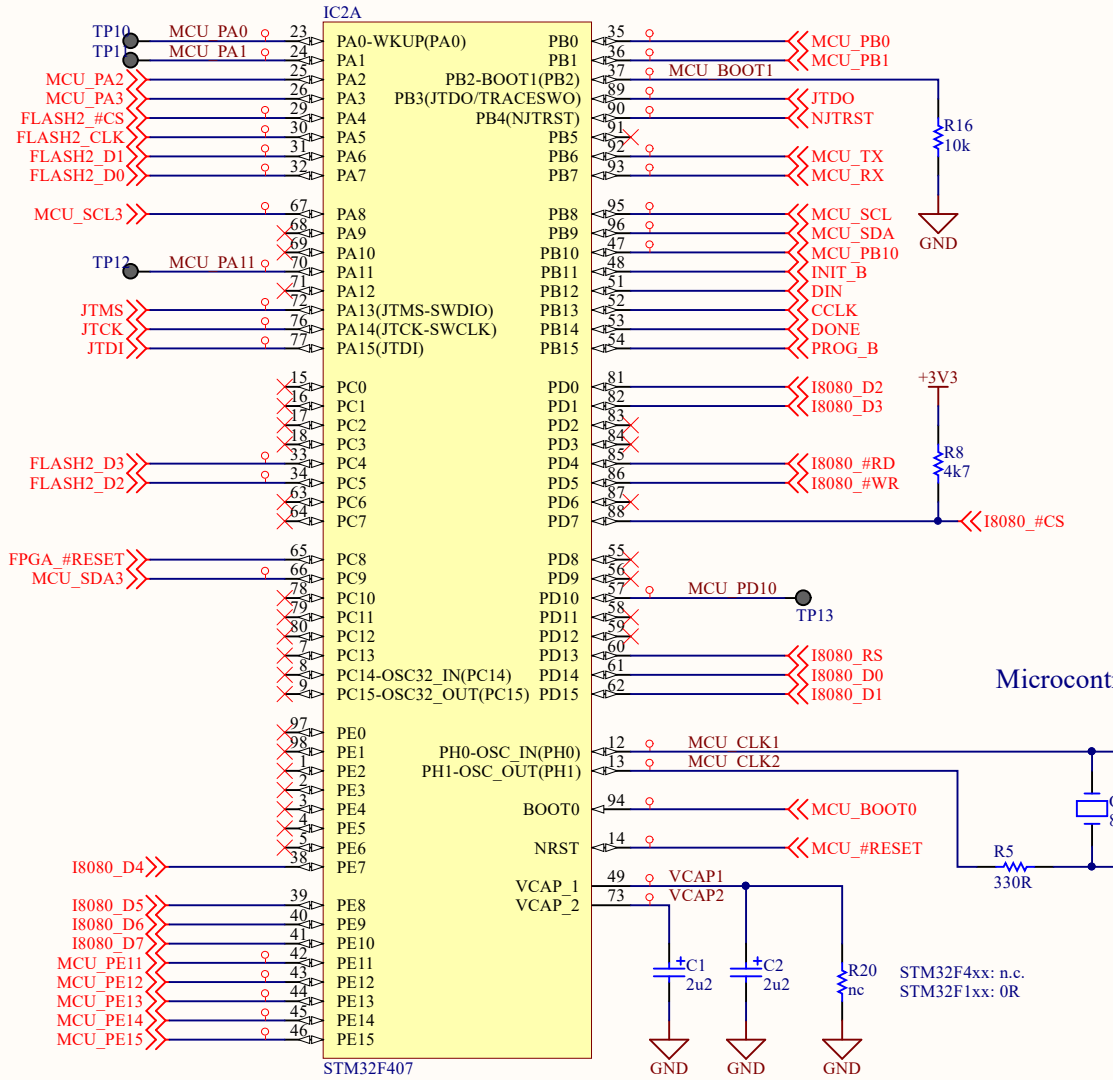
XC3S50A
or
XC3S200A



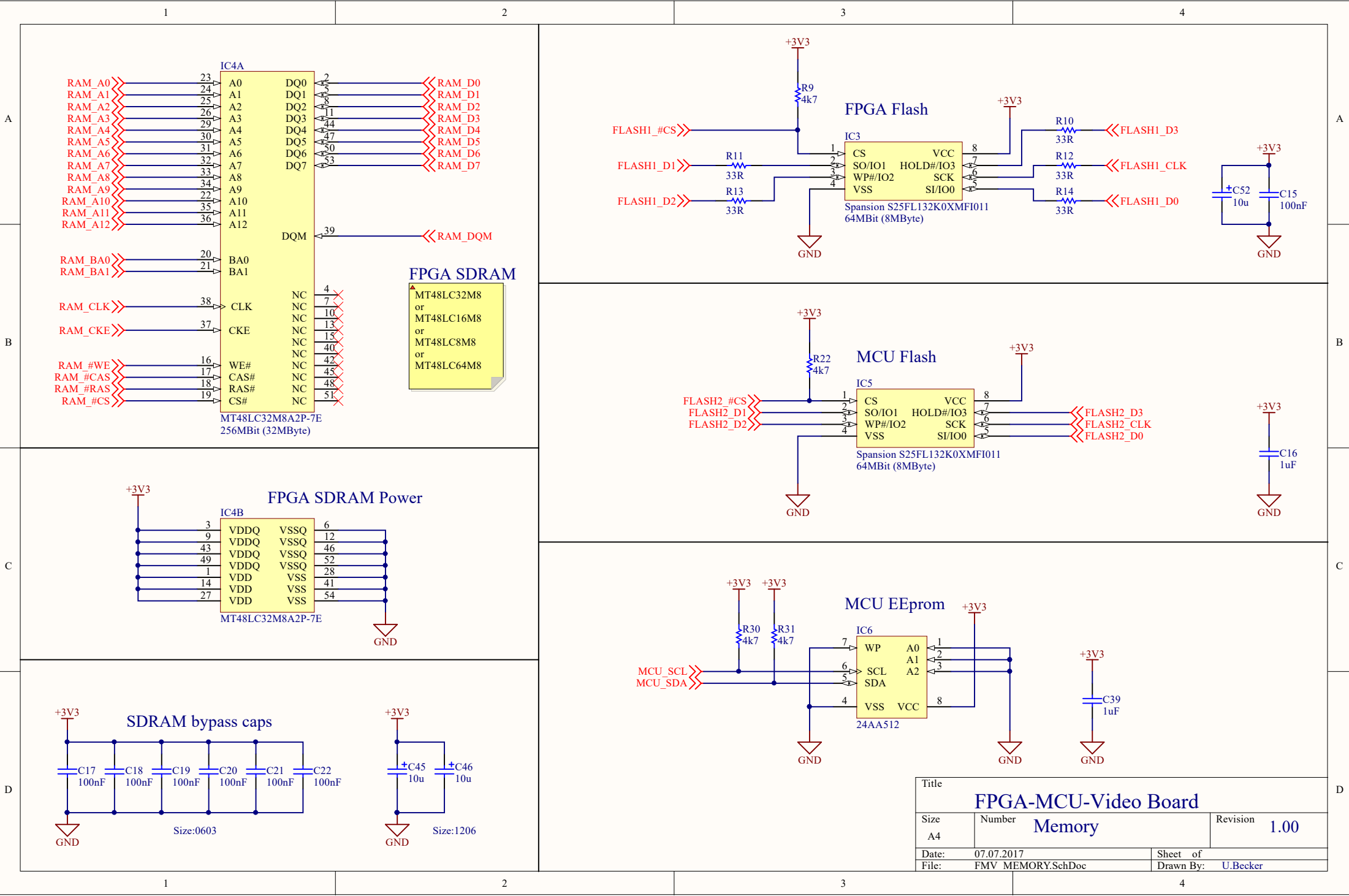
Title		
FPGA-MCU-Video Board		
Size	Number	Revision
A4	FPGA	1.00
Date:	07.07.2017	Sheet of
File:	FMV_FPGA.SchDoc	Drawn By: U.Becker

Microcontroller

▲ STM32F4xx
 or
 STM32F10xx
 or
 STM32F2xx

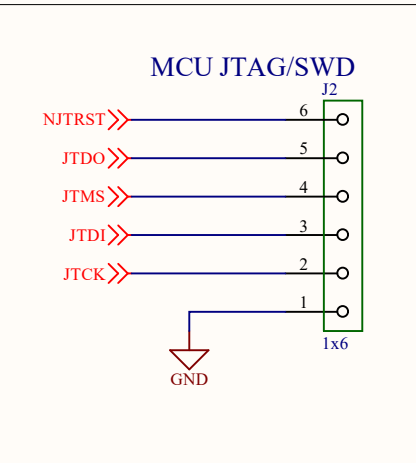


Title			
FPGA-MCU-Video Board			
Size A4	Number Mikrocontroller	Revision 1.00	
Date:	07.07.2017	Sheet of	
File:	FMV_MCU.SchDoc	Drawn By:	U.Becker

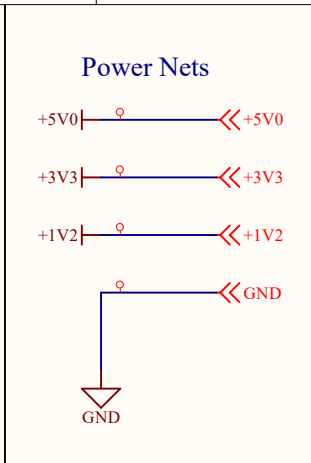


Title			
FPGA-MCU-Video Board			
Size	Number	Revision	1.00
A4	Memory		
Date:	07.07.2017	Sheet of	
File:	FMV_MEMORY.SchDoc	Drawn By:	U.Becker

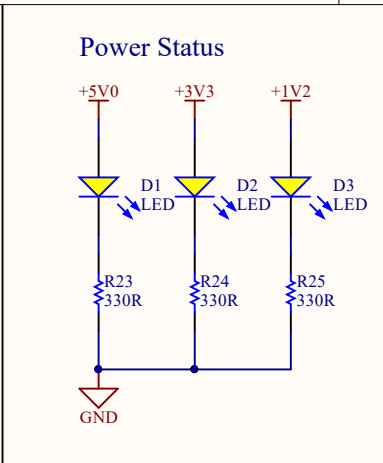
1



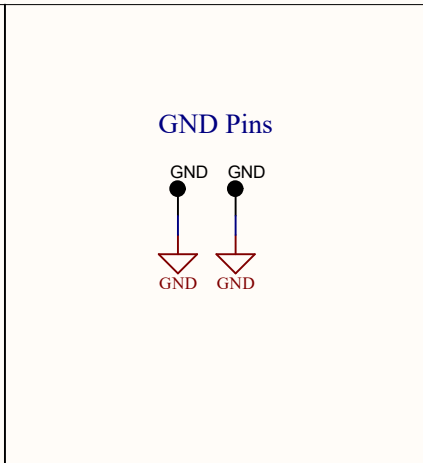
2



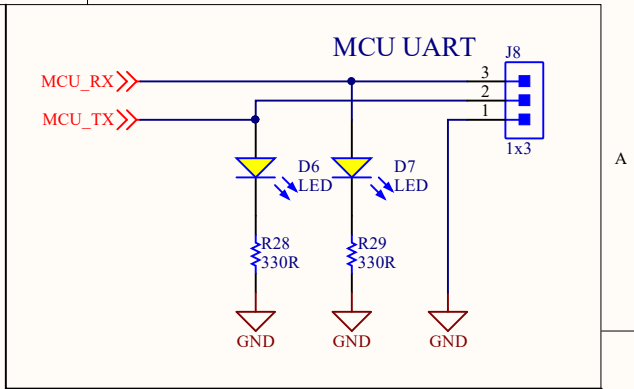
3



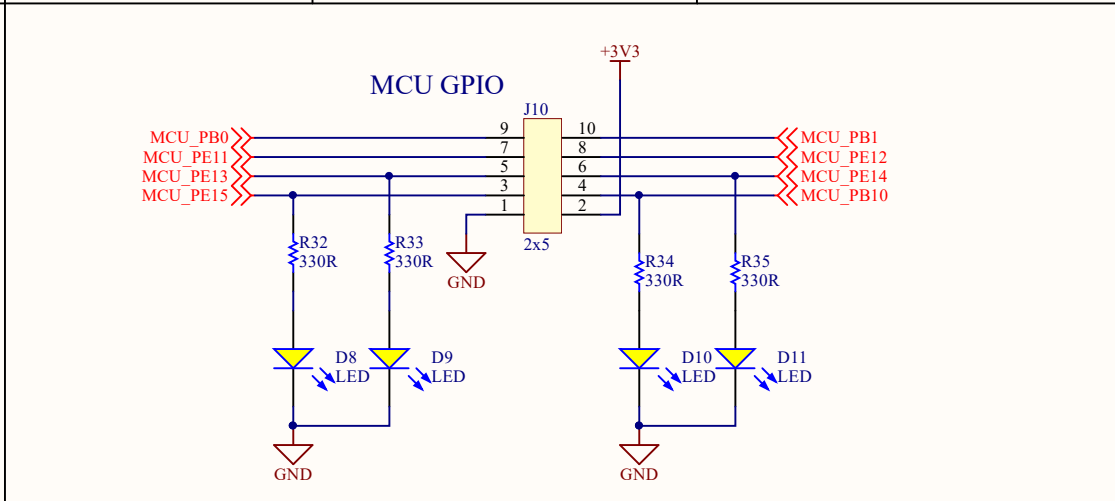
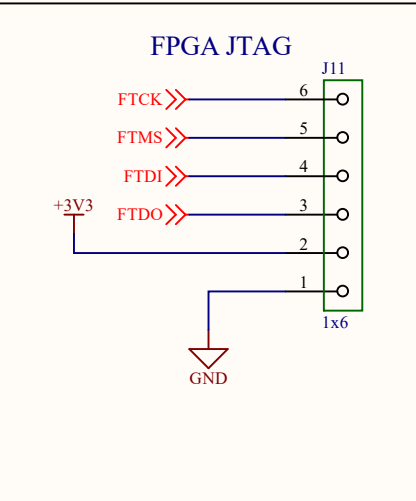
4



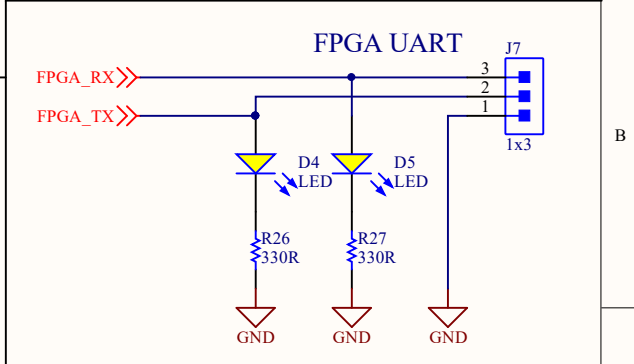
4



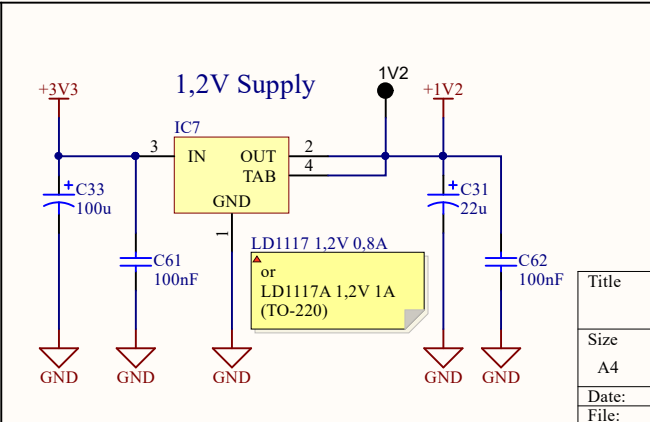
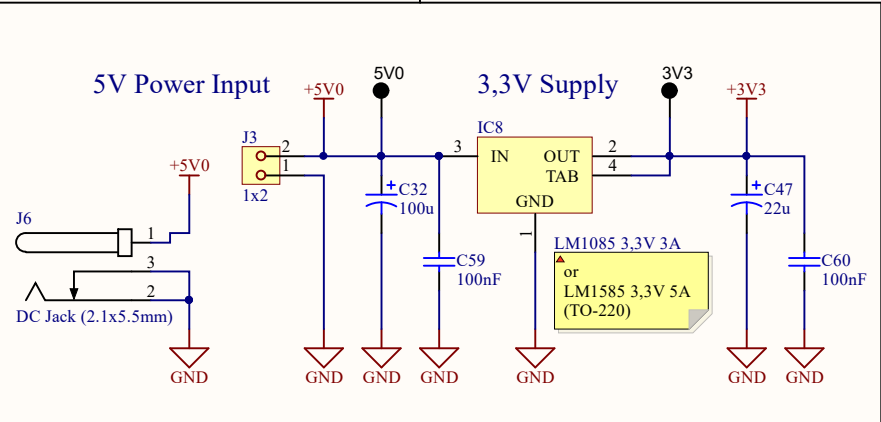
B



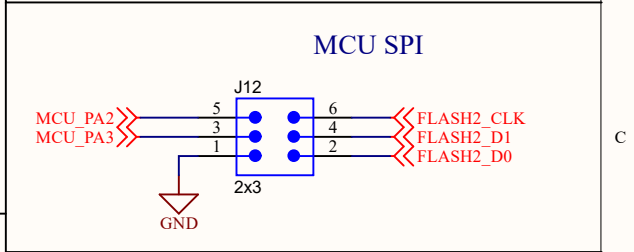
B



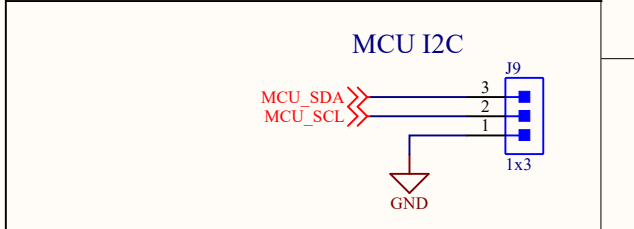
C



C



D



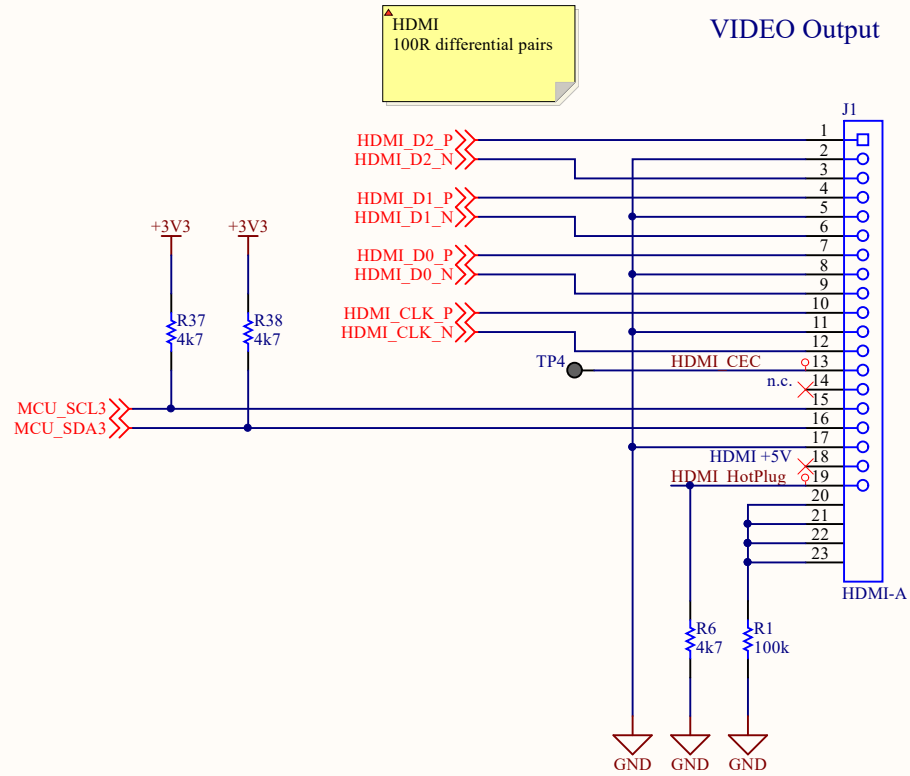
Title		
FPGA-MCU-Video Board		
Size A4	Number other peripherals	Revision 1.00
Date: 07.07.2017	Sheet of	
File: FMV_PERIPHERAL.SchDoc	Drawn By: U.Becker	

1

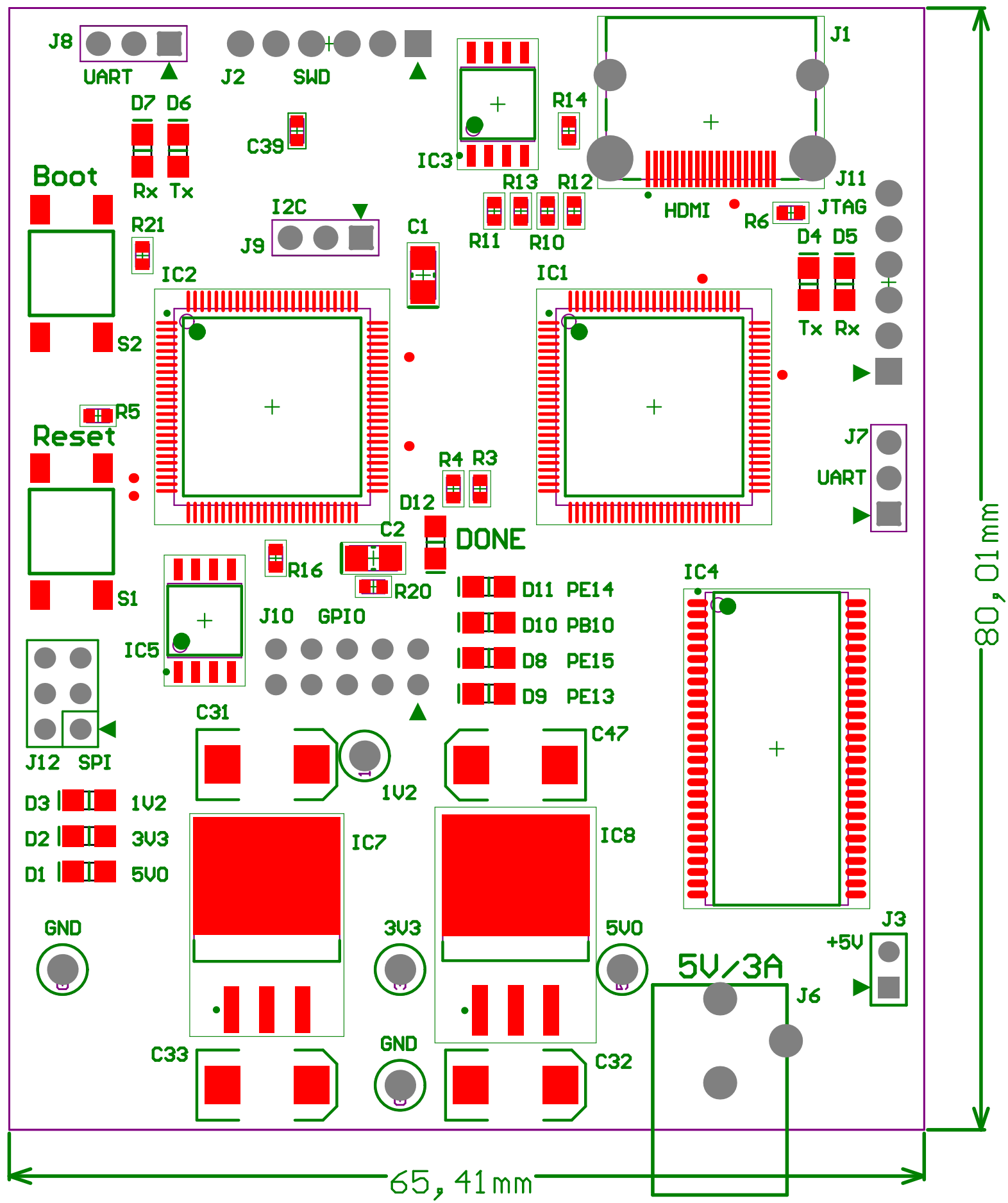
2

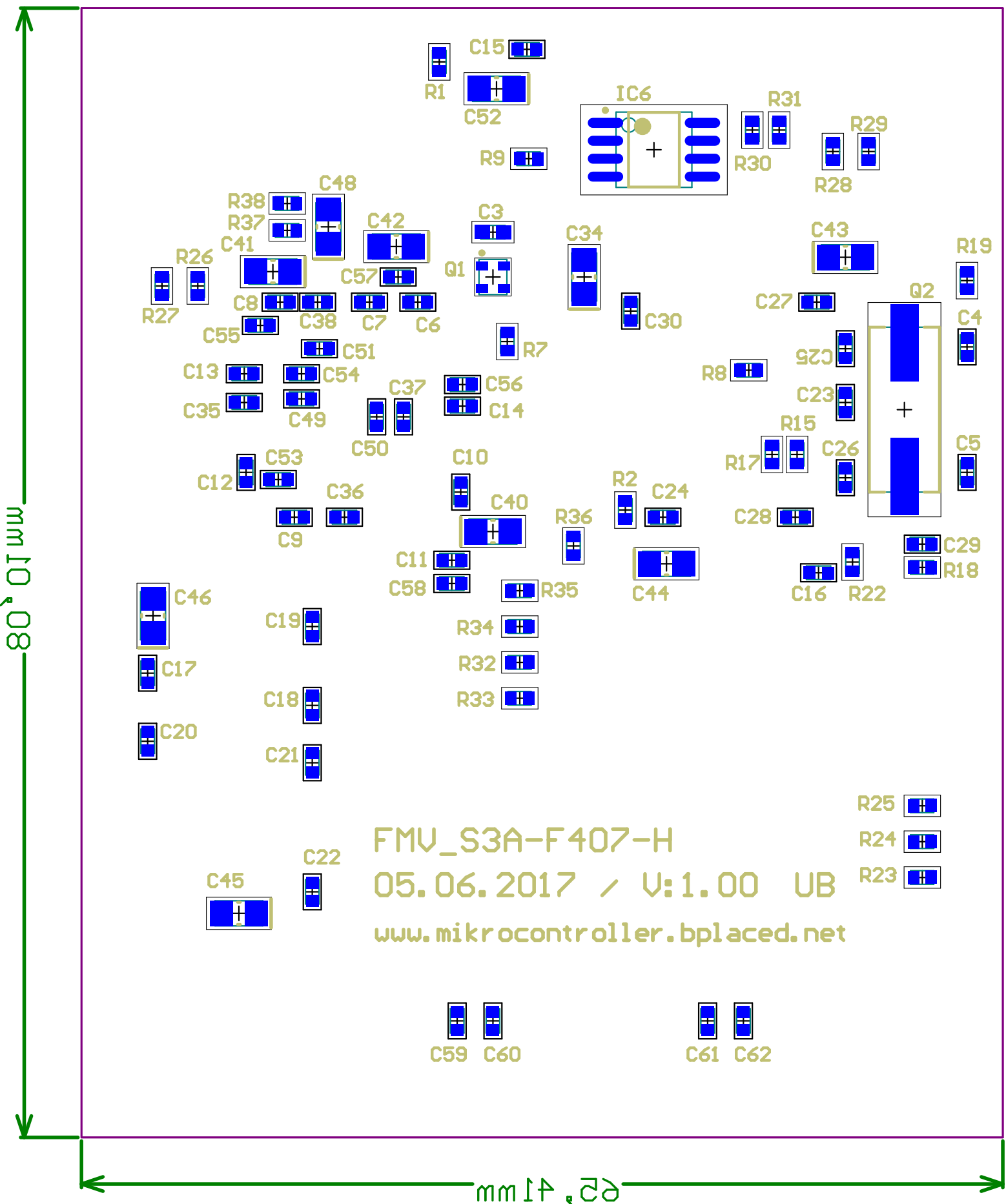
3

4



Title			FPGA-MCU-Video Board		
Size	Number	Revision		1.00	
A4	Video Output				
Date:	07.07.2017	Sheet of			
File:	FMV_VIDEO.SchDoc	Drawn By:	U.Becker		





FMV_S3A-F407-H

05.06.2017 / V:1.00 UB

www.mikrocontroller.bplaced.net

- R25
- R24
- R23

- C59
- C60

- C61
- C62